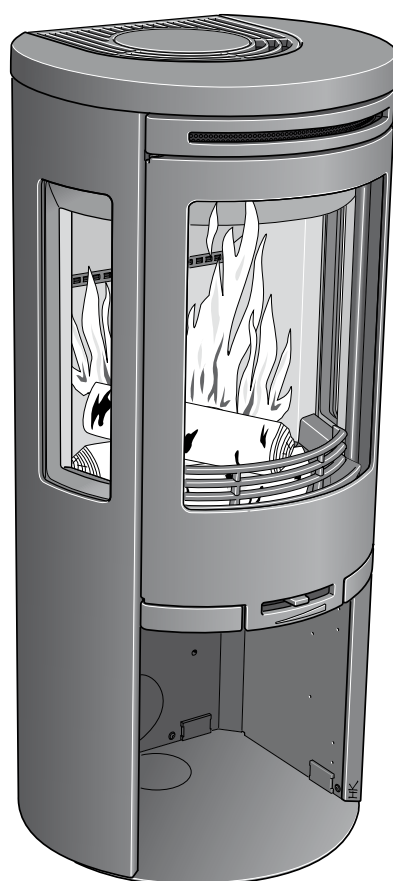
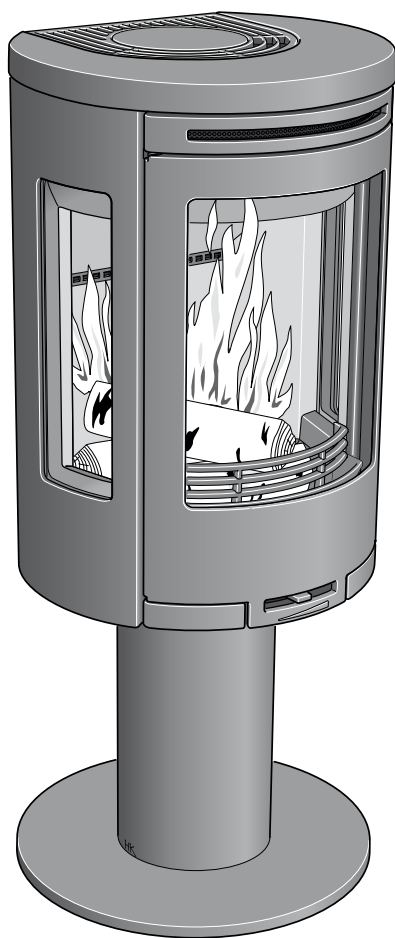


Installation instructions



C556
C586

Contura

EC Declaration of conformity

Contura www.contura.eu

MANUFACTURER

Name NIBE AB/NIBE STOVES
Address Box 134, Skulptörvägen 10, SE-285 23 Markaryd
Place of manufacture Markaryd, Sweden

PRODUCT COVERED BY THIS DECLARATION

Product type Stove fired by solid fuel
Type designation Contura
Type acc. to standard EN 13240 annex ZA
Intended for use Heating of living accomodation
Fuels Wood logs
Special conditions None

CE-MARKING	556	586
Nominal output	5 kW	5 kW
Fuel type	Wood logs	Wood logs
Flue gas temperature	291°	291°
Energy efficiency	79%	79%
Emission of CO	0,11%	0,11%

Appendix

Lighting and installation instructions



Niklas Gunnarsson
Business area manager NIBE STOVES



Quality approval

The stove has been tested by SP, the Swedish National Testing and Research Institute and meets the applicable regulations for CE marking and the stricter requirements for P marking. Manufacture of the product has taken place in accordance with those documents which are the basis for the relevant type approval certification and the required manufacturing checks. The chimney must be dimensioned for at least 350° C for both top connection directly upwards and connection directly backwards from the rear of the stove.



Contura 556/586 is a Swan marked stove.

NIBE was the first stove manufacturer in Sweden to commit to Swan marking their stoves. The Swan mark is one aspect of our vision to be a company of the future, setting high quality standards regarding the environment. Certification number 378-001.

A warm welcome to Contura.

A warm welcome to the Contura family. We hope you will get a great deal of pleasure from your new stove. As a new owner of a Contura stove you have secured a product with timeless design and long service life.

The Contura is not only an efficient source of heat, but it is environmentally friendly as well.

Read through these installation instructions carefully before installation. Read how to best light your stove in the lighting instructions.

Table of contents

Technical details	4
Prior to installation	4
Removing the loose parts	5
Connection to chimney	6
Supply of combustion air/Option	7
Installation distance 556	8
Installation distance 586	9
Installing 556	10
Installing 586	12

NOTE!

Report the installation of a stove to your local authority.

The building owner is personally responsible for ensuring compliance with the mandatory safety requirements and must have the installation approved by a qualified inspector. Your local chimney sweep must also be informed about the installation as this will affect the routines for regular chimney-sweeping services.

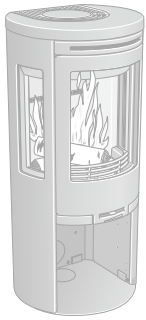
WARNING!

The stove becomes very hot

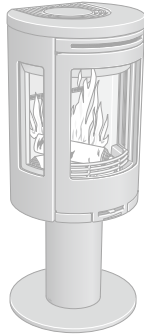
During operation, certain surfaces of the stove become very hot and can cause burn injury if touched. Be aware of the strong heat radiated through the hatch glass. Placing flammable material closer than the safe distance indicated may cause a fire. Pyre lighting can cause quick gas ignition with the risk of damage to property and personal injury.

Technical details

Contura 556



Contura 586



Output	3-7kW	
Nominal output	5 kW	
Efficiency	up to 79%	

Model	556	586
Weight (kg)	105	110
Width (mm)	495	495
Depth (mm)	440	440
Height (mm)	1080	1160

Type approved in accordance with:

European standard EN-13240

Swedish environmental and quality marking,

P-marking cert. no.220309

Norwegian standard NS 3059, SINTEF 043-140

German standard DIN Plus, RRF-40 10 2253

Important to remember!

Installation by authorised technician

This manual contains instructions about how the stoves must be assembled and installed. To ensure the function and safety of the stove, we recommend that the installation is carried out by an authorised technician. Contact one of our dealers who can recommend suitable technicians.

Building application

Before installing a stove or erecting a chimney it is necessary for you to make a building application permission to your local authority. Ask your local authority for advice regarding building regulations and the application.

Structural support

Check that the wood joists are strong enough to bear the weight of the stove and chimney. The stove and chimney can usually be placed on a normal wooden joist in a single occupancy house if the total weight does not exceed 400 kg.

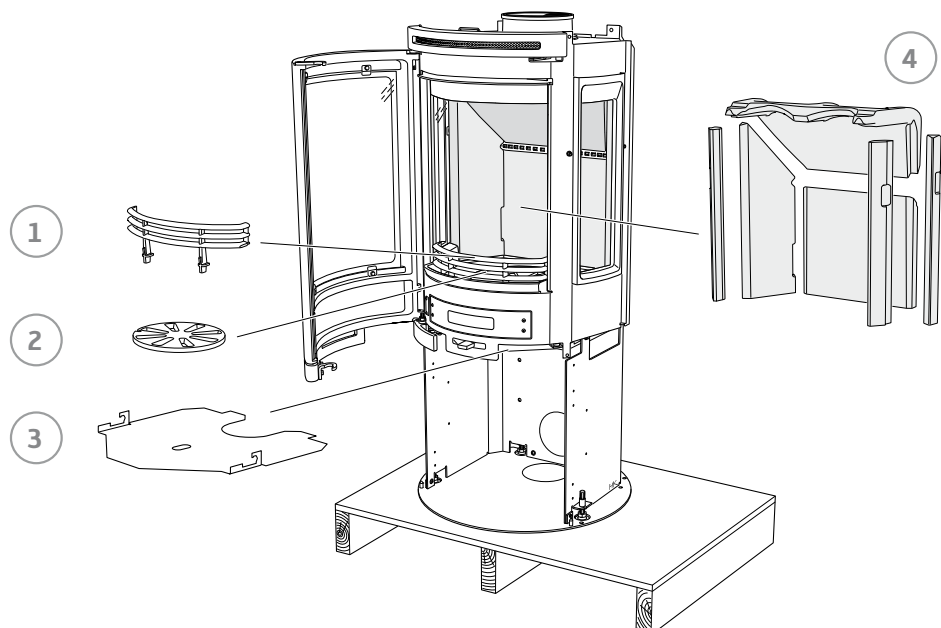
Hearth plate

Due to the risk of falling embers, the stove must be placed on a non-combustible surface. If the floor under the stove is flammable, it must be protected by a hearth plate which covers at least 300 mm to the front and 100 mm along each side. The hearth plate can consist of natural stone, concrete, metal or glass. A painted metal or glass hearth plate is available as an accessory for these models.

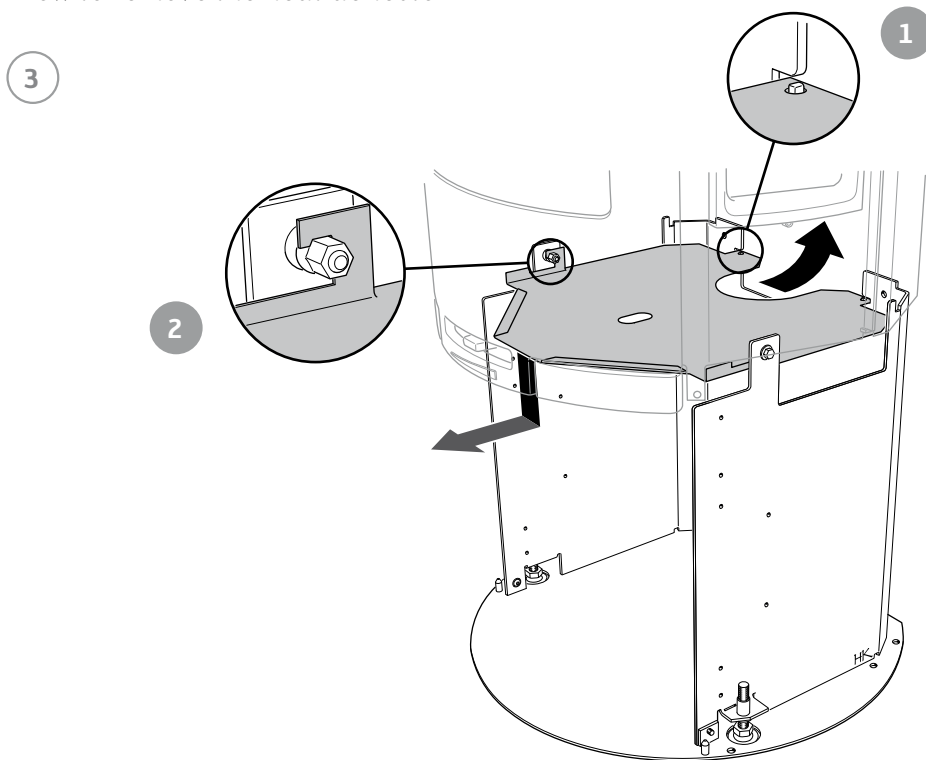
Prior to installation

If the insert needs bedding down to be moved or if the pillar foot is to be installed, remove any loose components. When the stove is installed reinstall the components in reverse order.

- 1 Fire bars
- 2 Grate disc
- 3 Heat deflector
- 4 Hearth cladding (Vermiculite).

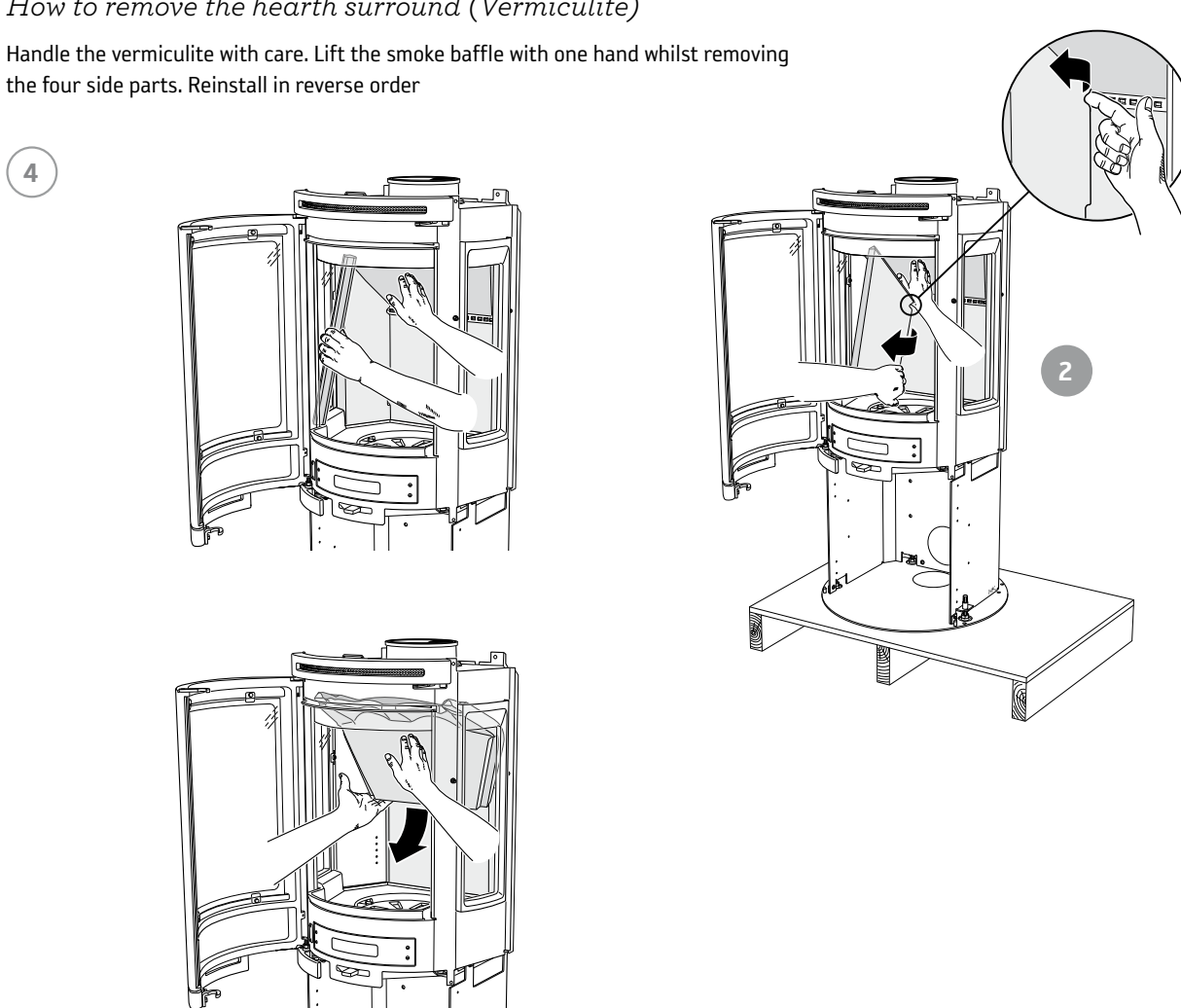


How to remove the heat deflector



How to remove the hearth surround (Vermiculite)

Handle the vermiculite with care. Lift the smoke baffle with one hand whilst removing the four side parts. Reinstall in reverse order

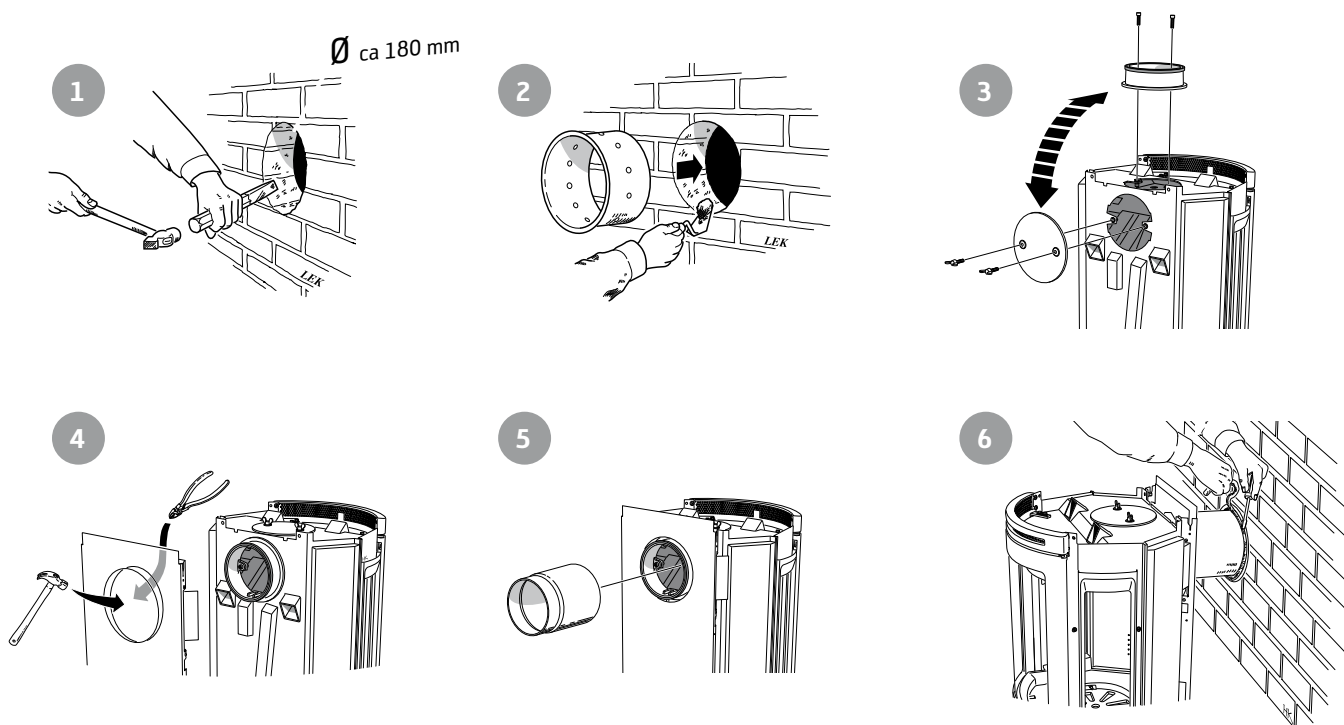


Connection to chimney

- The stove meets the requirements for connecting to chimneys dimensioned for 350°C flue gas temperature.
- The external diameter of the connection sleeve is 150 mm.
- The stove requires a draft in the chimney of at least -12 Pa. The draft is affected both by the length and area of the chimney, and by how well sealed it is. Minimum recommended chimney length is 3,5 m and a suitable cross section area is 150-200 cm² (140-160 mm in diameter).
- A flue with sharp bends and horizontal routing reduces the draught in the chimney. Maximum horizontal flue is 1 m, on the condition that the vertical flue length is at least 5 m.
- It must be possible to sweep the full length of the flue and the soot hatches must be easily accessible.
- Carefully check that the chimney is sealed and that there is no leakage around soot hatches and flue connections.

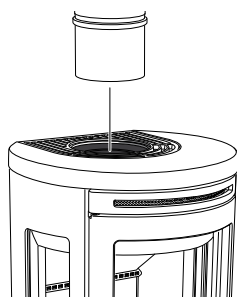
Rear connection to a masonry chimney

The back panel must be installed before the stove is rear connected.



Top connection to the chimney

The hot air grille must be installed before chimney top connection.



Make sure that the connector gasket does not work loose when the connection pipe is placed on the connector. If further sealing material is required, heat-resistant sealant may be used.

Supply of combustion air

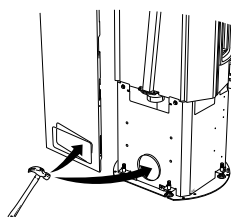
When a stove is installed in a room, the air supply demand to the room increases. Air can be provided indirectly via a vent in the outer wall or via a duct from the outside that is connected to the connector on the underneath of the stove. The amount of air needed for combustion is $25\text{m}^3/\text{h}$.

The connector has an external diameter of 67 mm. When duct routing further than 1 m the pipe diameter must be increased to 100 mm and a correspondingly larger wall vent must be selected.

In hot areas the duct should be insulated with 30 mm mineral wool covered with a moisture inhibitor (plastic). It is important that the lead-in between the pipe and the wall (or floor) is sealed using jointing compound.

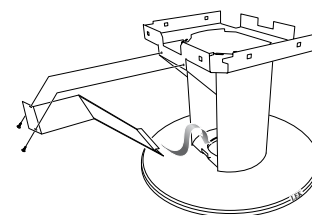
A 1 m length of condensation insulated ducting for combustion air is available as an accessory.

Installation variants



C556

In the back and floor plates there are knockouts that must be removed to insert the pipe.

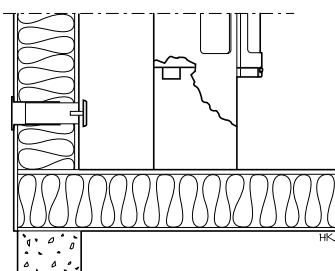


C586

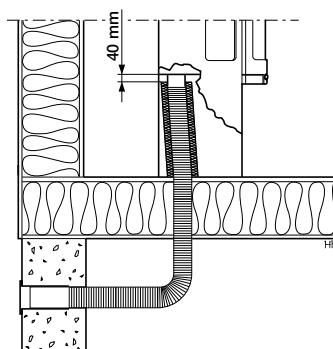
There is a detachable cover on the reverse of the pillar foot which is removed when installing combustion air connection.



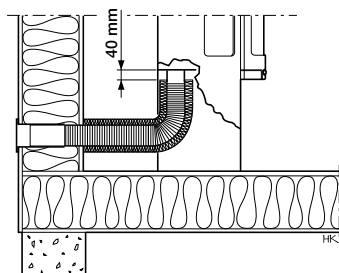
Leave a 40 mm gap between the condensation insulation and the bottom of the stove.



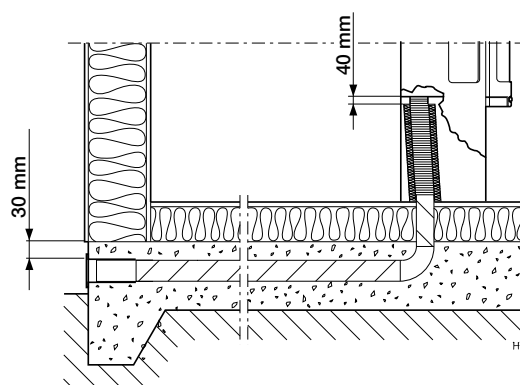
Indirect air supply through the external wall.



Through floor and wall-and-cavity foundation.



Through the external wall.



Through floor and foundation slab.

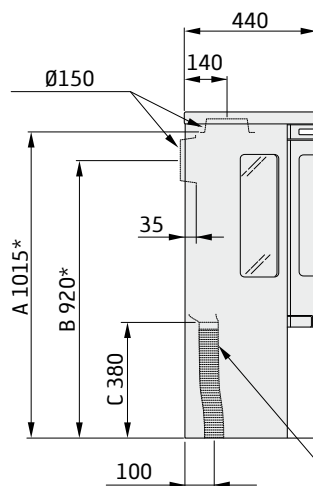
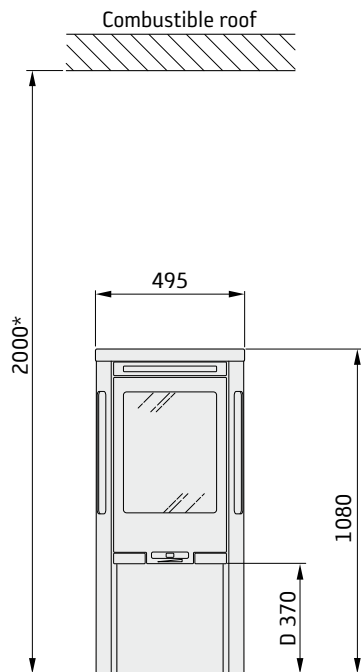
Installation distances

C556

WHEN INSTALLING TURNTABLE (OPTION) the following installation distances do not apply. See the separate turntable instructions.

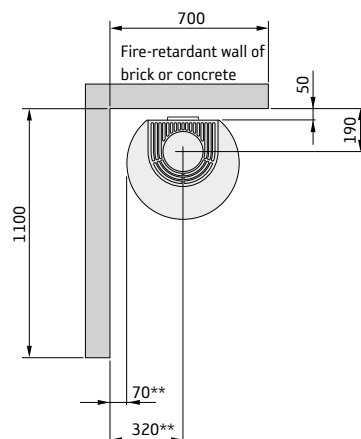
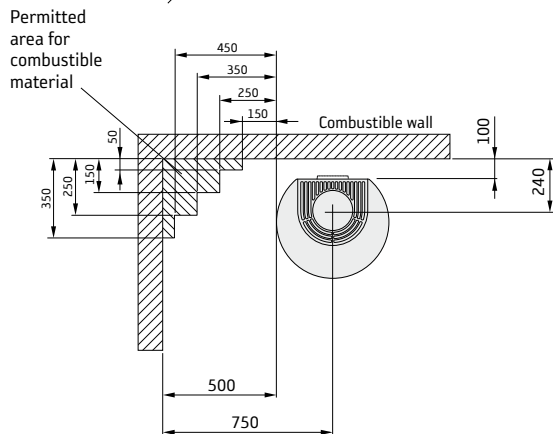
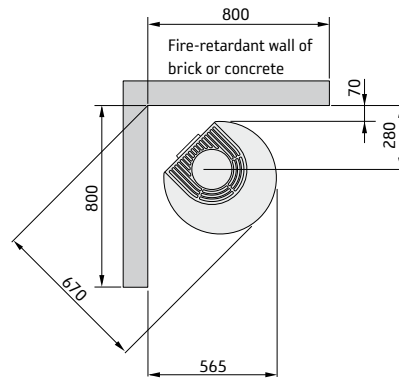
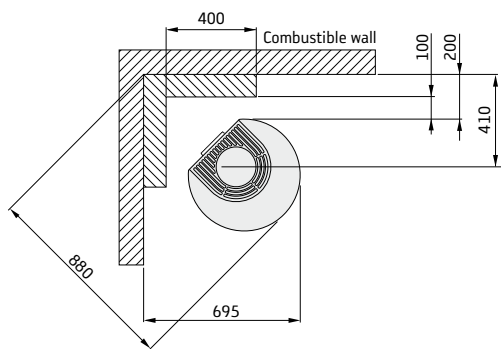
The minimum distance in front of the stove opening to combustible parts of the building or interior decoration must be at least 1 m.

When top connecting a steel flue please refer to the relevant manufacturer's installation instructions. Observe the safety distances to combustible material that steel flues require.



Air inlet Ø67

- A = height from floor to chimney connection upwards
- B = height from floor to c/c chimney connection rear
- C = height from floor to air inlet
- D = height from floor to lower edge of hatch

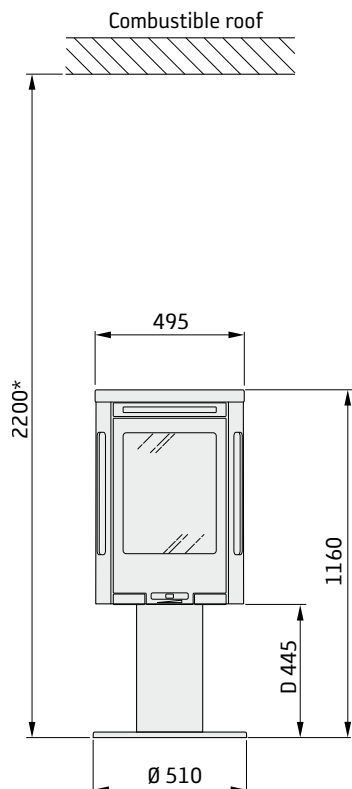


* If the stove is placed on a hearth plate made of glass for example (accessory), the height from the floor is affected by a distance corresponding to the thickness of the hearth plate. Also applies to separate glass hearth plates (accessory).

** To prevent discolouration of painted non-flammable walls, we recommended the same side distance as to combustible walls.

Installation distances

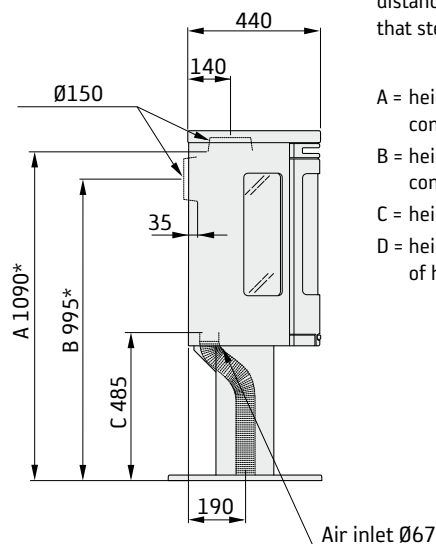
C586



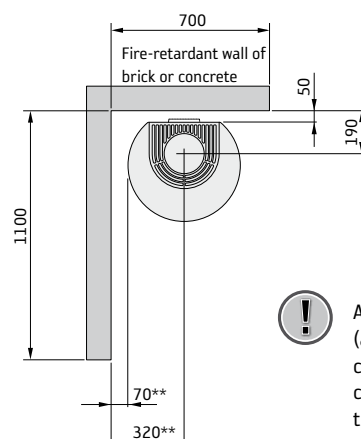
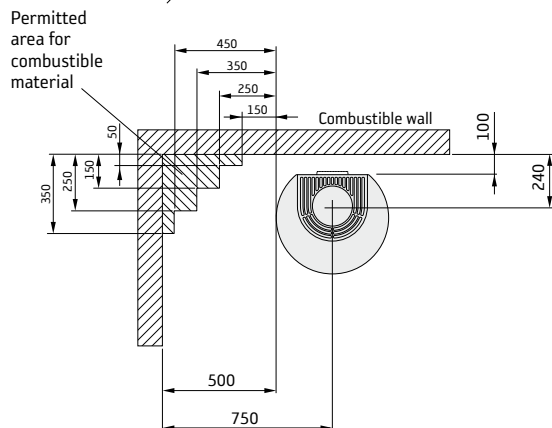
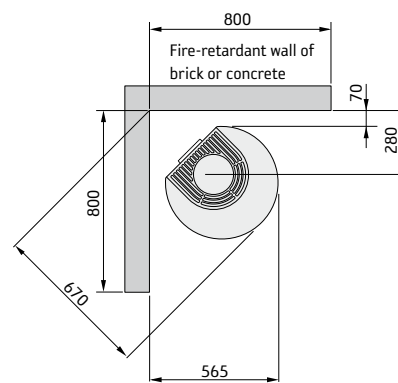
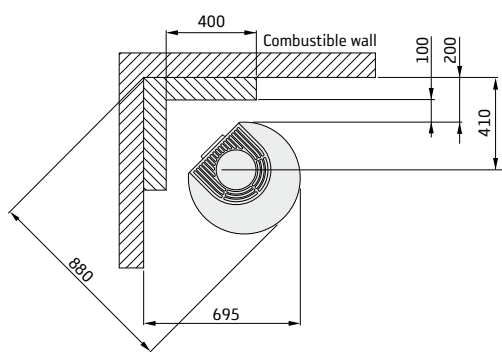
WHEN INSTALLING TURNTABLE (OPTION) the following installation distances do not apply. See the separate turntable instructions.

The minimum distance in front of the stove opening to combustible parts of the building or interior decoration must be at least 1 m.

When top connecting a steel flue please refer to the relevant manufacturer's installation instructions. Observe the safety distances to combustible material that steel flues require.



A = height from floor to chimney connection upwards
 B = height from floor to c/c chimney connection rear
 C = height from floor to air inlet
 D = height from floor to lower edge of hatch

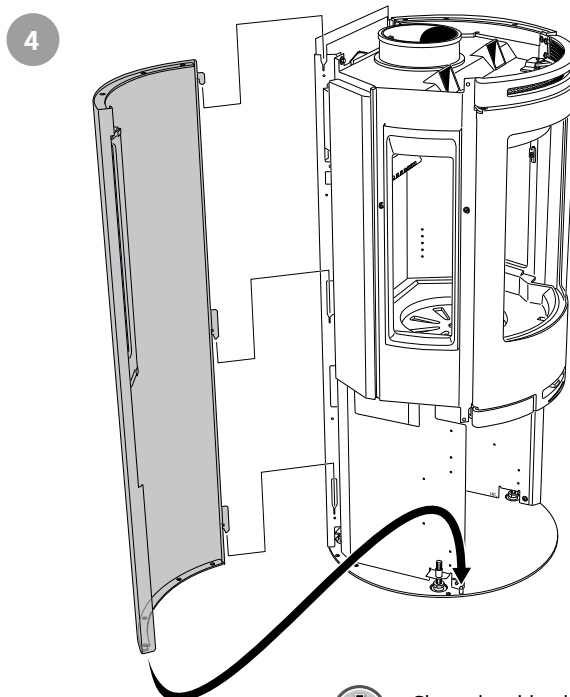
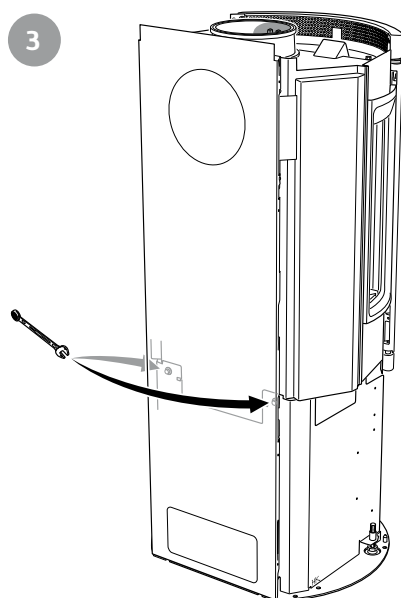
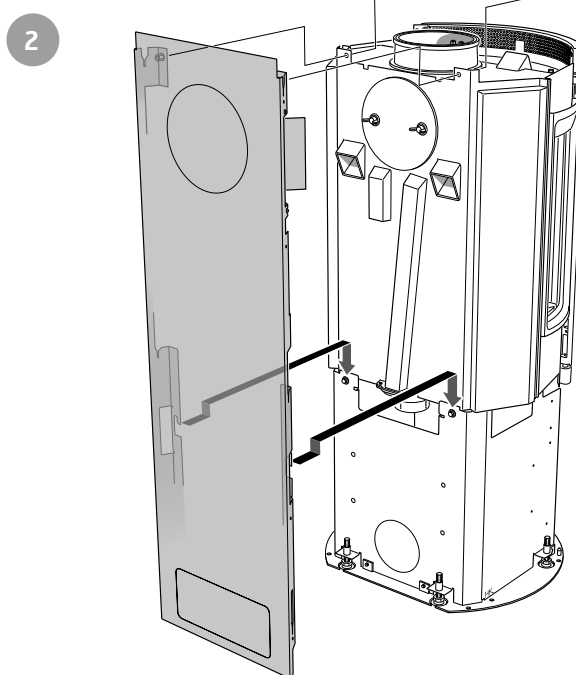
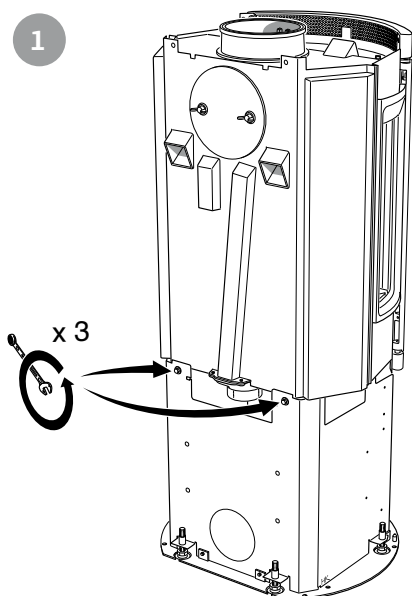


A separate glass floor plate (accessory) increases the connection height to the chimney by 10mm. Install the spacers supplied with the floor plate prior to connection.

* If the stove is placed on a hearth plate made of glass for example (accessory), the height from the floor is affected by a distance corresponding to the thickness of the hearth plate. Also applies to separate glass hearth plates (accessory).

** To prevent discolouration of painted non-flammable walls, we recommended the same side distance as to combustible walls.

Installing C556



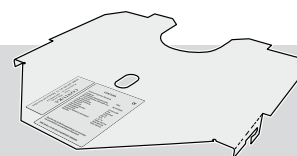
Wait to tighten the back panel's upper screws until the side panels are installed.



Clean the side glass thoroughly before installing the side panels.

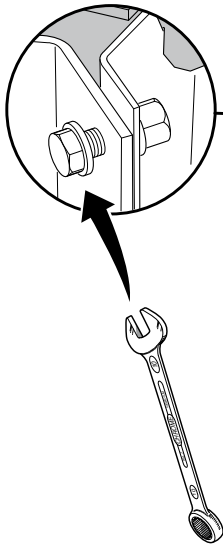
Installing the rating plates C556

The following rating plates must be placed on the underneath of the heat deflector. The heat deflector can be removed and is not used with the fan option. In such a case, place the rating plates on the fan shelf.

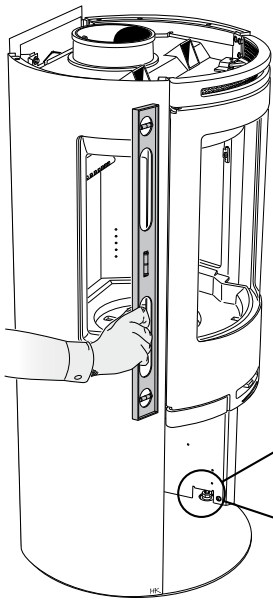
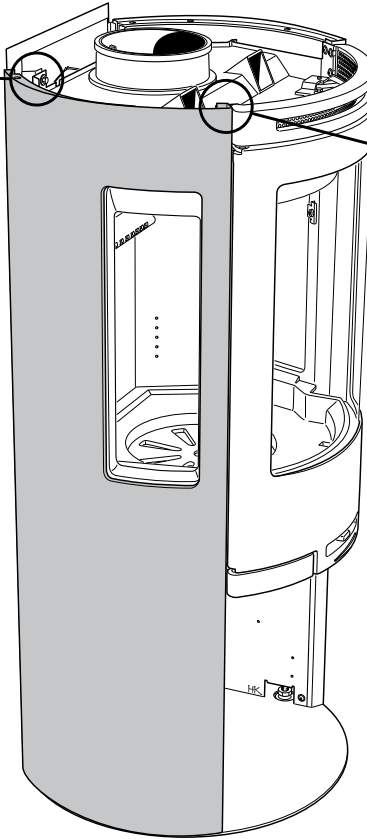
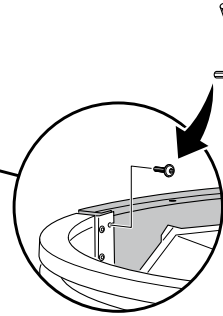




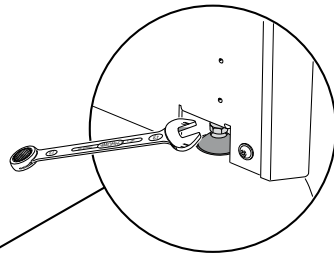
6



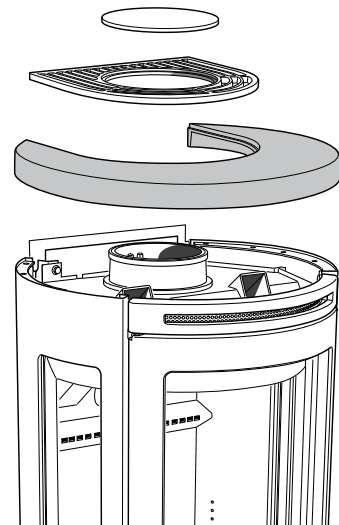
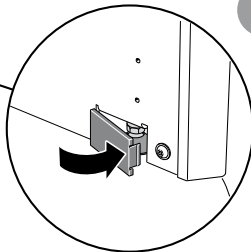
5



7



8



9

READY!

If the stove's loose components are removed these must be reinstalled in reverse order when the stove is put in place.

Final inspection of the installation

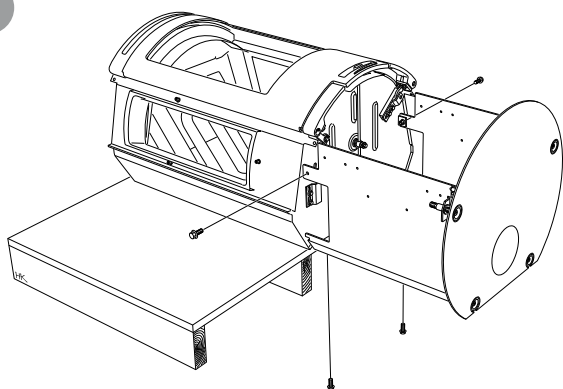
It is extremely important that the installation is inspected by an authorised chimney sweep before the stove is used. Also read the "Lighting instructions", before lighting for the first time.



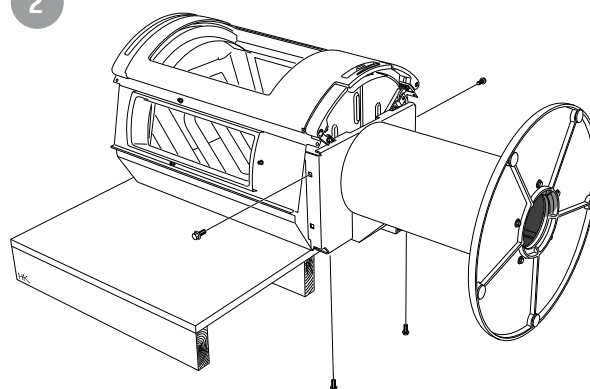


Installing C586

1

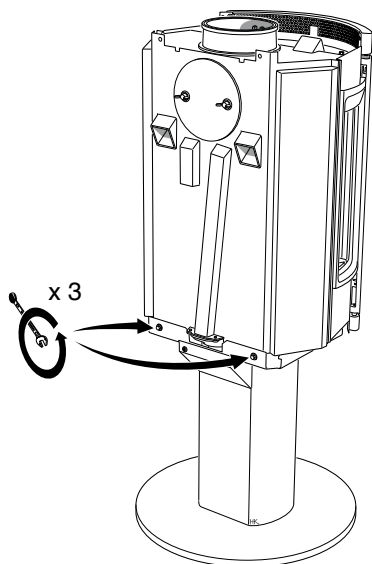


2

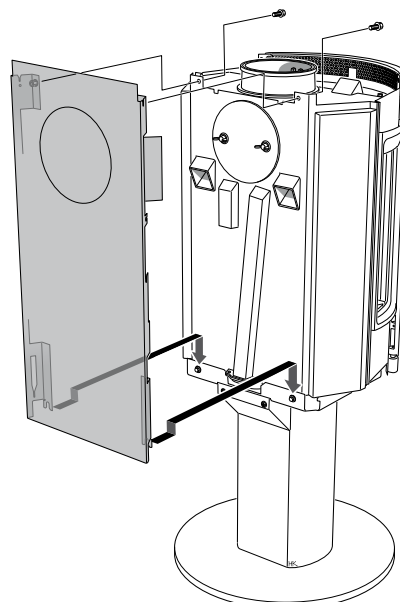


Do not tighten the screws until the stove has been raised again.

3



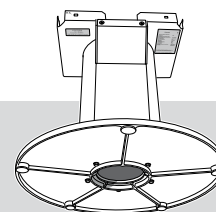
4



Wait to tighten the back panel's screws until the side panels are installed.

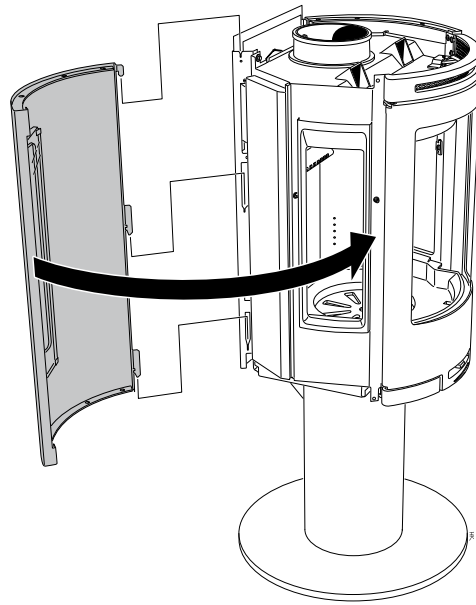
Installing the rating plates C586

The following rating plates must be placed on the underneath of the pillar frame.

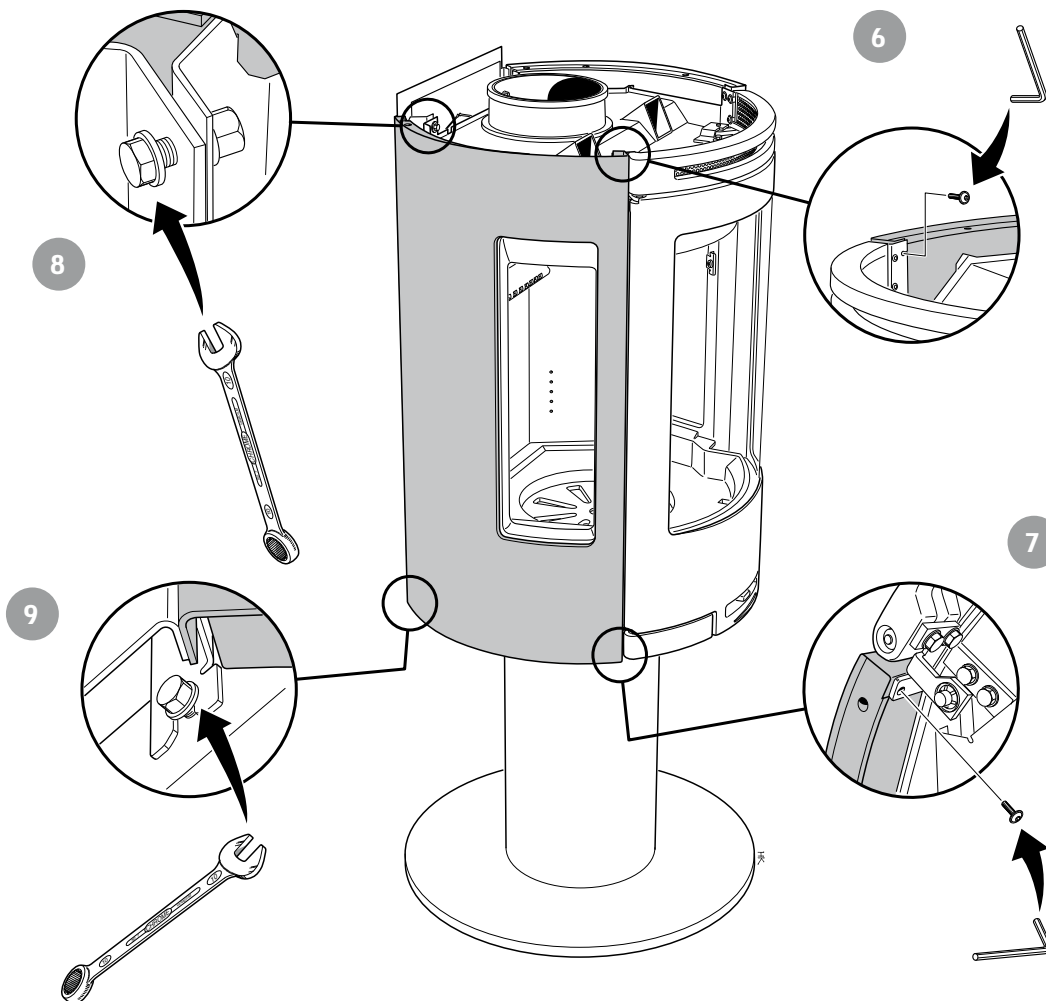


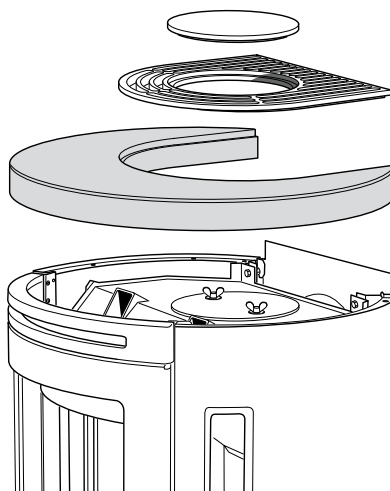


5



Clean the side glass thoroughly before installing the side panels.





8

READY!

Reinstall the loose components in the fire box when the stove is in place.

Final inspection of the installation

It is extremely important that the installation is inspected by an authorised chimney sweep before the stove is used. Also read the "Lighting instructions", before lighting for the first time.

 **NIBE**

NIBE AB/NIBE STOVES · Box 134 · SE-285 23 Markaryd
SWEDEN · www.contura.se

NIBE Stoves reserves the right to change colours, materials, dimensions and models at any time without special notice. Your dealer can give you the most up to date information. Stoves shown in brochures may have optional extras.